

## DESCRIPTION

The Converge™ series by Neo-Ray™ defines the new standard in ambient lighting by combining the highest degree of minimization with the most advanced optical distribution and control available. Eaton's LuxWire™ technology delivers low-voltage power to the luminaire through the same cables from which it is suspended, allowing the luminaire to float beautifully in space without large, unsightly power cables. Our patented next generation curved WaveStream™ light engine coupled with a proprietary light mixing chamber (patent pending) enables you to bend uniform light like never before. Luminaires are specifiable in 4 foot increments with a variety of mounting options. Adaptable and modular components make installation simple and ensure laser straight runs.

## SPECIFICATION FEATURES

### Construction

Housing trim extruded from 6063 aluminum. Nominal 4' and 8' sections. Used in run configuration and/or individual fixtures. All components are RoHS compliant.

### Optics

Curved optical grade acrylic embedded with patented WaveStream Accu-Aim™ optics for optimal distribution, excellent uniformity, and high performance. Light engine becomes virtually clear in the off-state.

### Finish

Fixture housing trims are finished with an electrostatically applied polyester powder coat paint for long lasting durability.

### Mounting

Grid, Pierced-Tile, Surface, Sheetrock and Flangless Sheetrock.

### Electrical

Long-life LED system powered by a remote driver through low-voltage aircraft cable to deliver optimal performance. LED's are available in 3000K, 3500K or 4000K with a typical CRI ≥ 85. Projected life is 193k hours at 70% lumen output for most configurations. Electronic drivers are available for 120-277V and 347V applications.

### Controls

Equipped standard with a 0-10V continuous dimming driver compatible with most standard dimming

devices (refer to website for specific compatibility reference). Combine with FifthLight DALI and other energy saving products like sensors, daylighting controls and building management systems to maximize energy savings.

### Compliance

Fixtures and electrical components certified to UL and CUL standards. Fixtures are damp location listed and IC rated. For Chicago plenum, specify CP in fixture options.

### Warranty

Five year warranty.

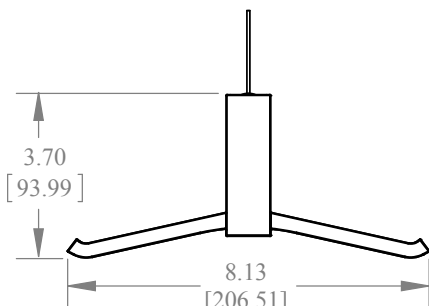


## CONVERGE

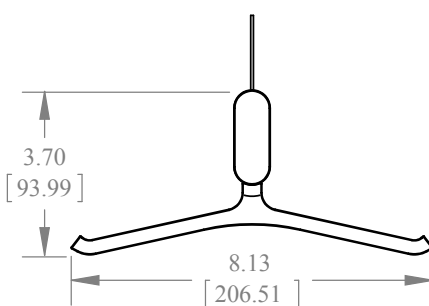
### WaveStream™ LED

### Suspended Direct / Indirect

cULus – 1598  
IC Rated  
Damp Location Listed  
LM79/LM80 Compliant  
ROHS Compliant



S920DIP Rectilinear



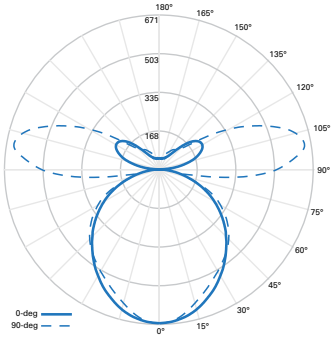
S921DIP Curvilinear

## ORDERING INFORMATION

Sample Number: S920DIP-W335-PT12S4-UDD-W

Series	Optics	Light Level @ 3500K <sup>5</sup> (Nominal Lms / 4' section)	CCT	Ceiling Type	Row Length <sup>1,6</sup>	Linear Configurations
S920DIP - Rectilinear Direct / Indirect Pendant	-W = WaveStream Up 40% / Down 60%	1 = Light Level 1 (2100 lm) <sup>1</sup> 2 = Light Level 2 (3200 lm) <sup>1</sup> 3 = Light Level 3 (4300 lm) <sup>1</sup> 4 = Light Level 4 (5400 lm) <sup>1</sup> 5 = Light Level 5 (6500 lm) <sup>1</sup>	30 = 3000K 35 = 3500K 40 = 4000K ≥ 85 CRI typ.	-GD = On-Grid (includes teg) -PT = Pierced Tile Grid -SF = Sheet Rock Flush (Mud Flange) -SR = Sheet Rock with proud cover plate -ST = Structure Mount	4 = 4' Individual 8 = 8' Individual XXX = Specify row length in 4' increments	S = Standard B = Balanced <sup>1,8</sup> * Please refer to config. table on page 4 for valid configurations
S921DIP - Curvilinear Direct / Indirect Pendant						
Cable Mounting Centers	Voltage	Driver Options	Finish <sup>11</sup>	Integral Emergency <sup>8</sup>	Downlight Kits <sup>8</sup>	Options <sup>8</sup>
2 = 24" 4 = 48" (Standard) 8 = 96" (8' Individual Only) * Please refer to config. table on page 4 for valid configurations	-U = Universal 120-277 VAC -1 = 120 VAC -2 = 277 VAC -3 = 347 VAC <sup>3</sup> -48 = 48 VDC <sup>4</sup>	DD = Standard 0-10V (10%-100%) HCD = 0-10V (1%-100%) <sup>1,8</sup> DCD = 0-10V (.1%-100%) <sup>1,8</sup> 5LT = Fifth Light DALI (10%-100%) <sup>1,8</sup> 5LTHD = Fifth Light DALI (.1%-100%) <sup>1,8</sup> STP = Step Dim <sup>1,8</sup> L5 = Lutron LDE5 w/ Ecosys <sup>1,8</sup> LH = Lutron LDE1 w/ Ecosys <sup>1,8</sup> DD3 = 347V 0-10 (5%-100%) <sup>1,3,8</sup> LV1 = DLVP Driver <sup>1,4,8</sup>	-W = White -S = Silver -B = Black -C = Custom Color <sup>8</sup>	-EL7W = Integral Battery Pack <sup>2</sup> -EL14W = Integral Battery Pack <sup>2</sup> -RRU = UL924 ETR Emergency Bypass Relay <sup>12</sup>	-PC = Perf Cover -SC = Solid Cover (100% down)	CP = Chicago plenum LWTPD1 = Tilemount Lumawatt Pro Wireless Sensor <sup>7</sup>

All data certified to LM-79 standards in a NAVLAB approved testing facility



**FILE NAME: S920DIP-W235-XX4XX-UDD-W**

**CCT: 3500K**

**LUMENS: 3239 Lms**

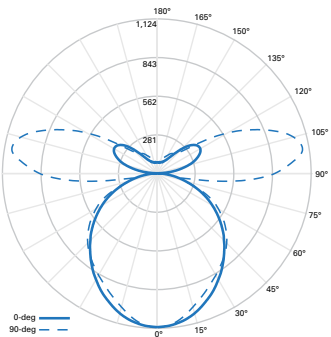
**WATTS: 27.7 W**

**LPW: 116.9 LPW**

**TEST NUMBER: P210489**

ZONAL LUMEN STUDY		
Zone	Lumens	% Fixture
0°-30°	486	15.0
0°-40°	787	24.3
0°-60°	1392	43.0
0°-90°	1891	58.4
90°-180°	1347	41.6

LUMINANCE DATA (cd / sq.m)			
Vertical Angle	0°	45°	90°
45°	2282	1733	1593
55°	2195	1519	1398
65°	2096	1187	1114
75°	1834	766	580
85°	1162	931	2564



**FILE NAME: S920DIP-W435-XX4XX-UDD-W**

**CCT: 3500K**

**LUMENS: 5427 Lms**

**WATTS: 50.7 W**

**LPW: 107.0 LPW**

**TEST NUMBER: P210491**

ZONAL LUMEN STUDY		
Zone	Lumens	% Fixture
0°-30°	813	15.0
0°-40°	1319	24.3
0°-60°	2333	43.0
0°-90°	3169	58.4
90°-180°	2257	41.6

LUMINANCE DATA (cd / sq.m)			
Vertical Angle	0°	45°	90°
45°	3824	2904	2669
55°	3678	2546	2342
65°	3512	1989	1866
75°	3072	1284	971
85°	1946	1561	4296

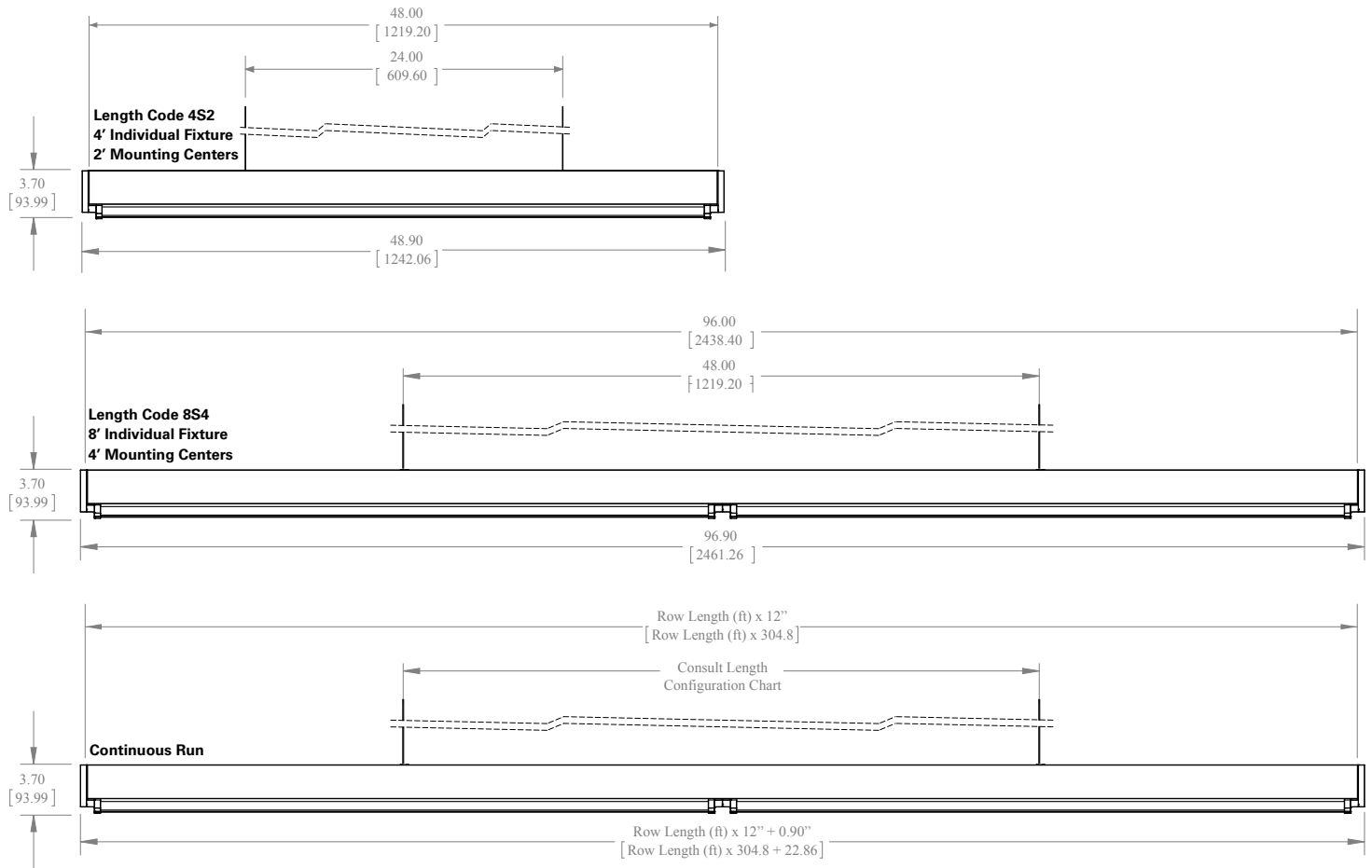
**LUMEN MAINTENANCE @ 25°C**

Light Level	TM-21 Lumen Maintenance (60,000 hours)	Theoretical L70 (Hours)
1, 2, 3, 4	89.34	193,000
5	84.75	129,000

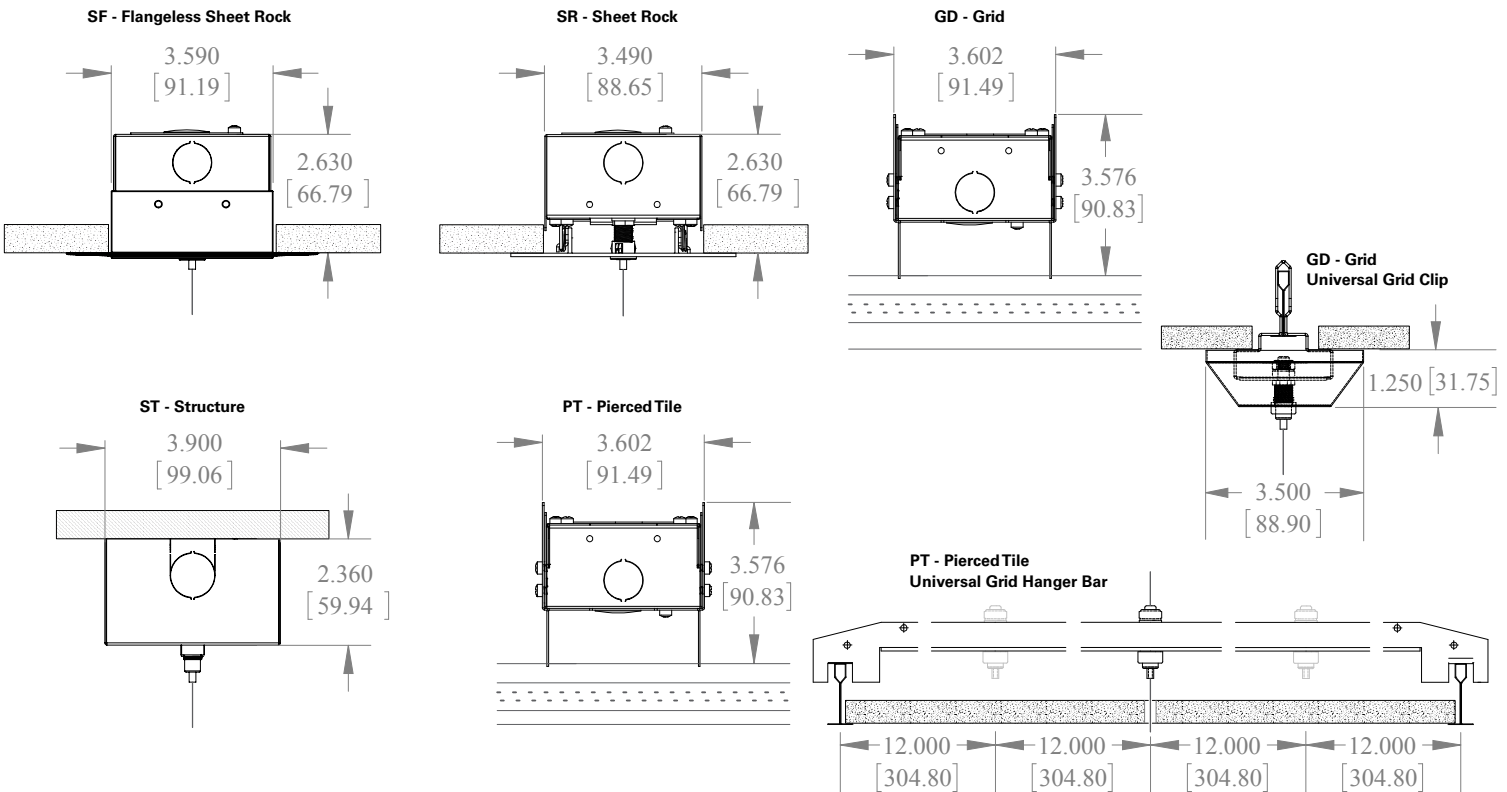
**LUMEN PACKAGE DETAIL (3500K)**

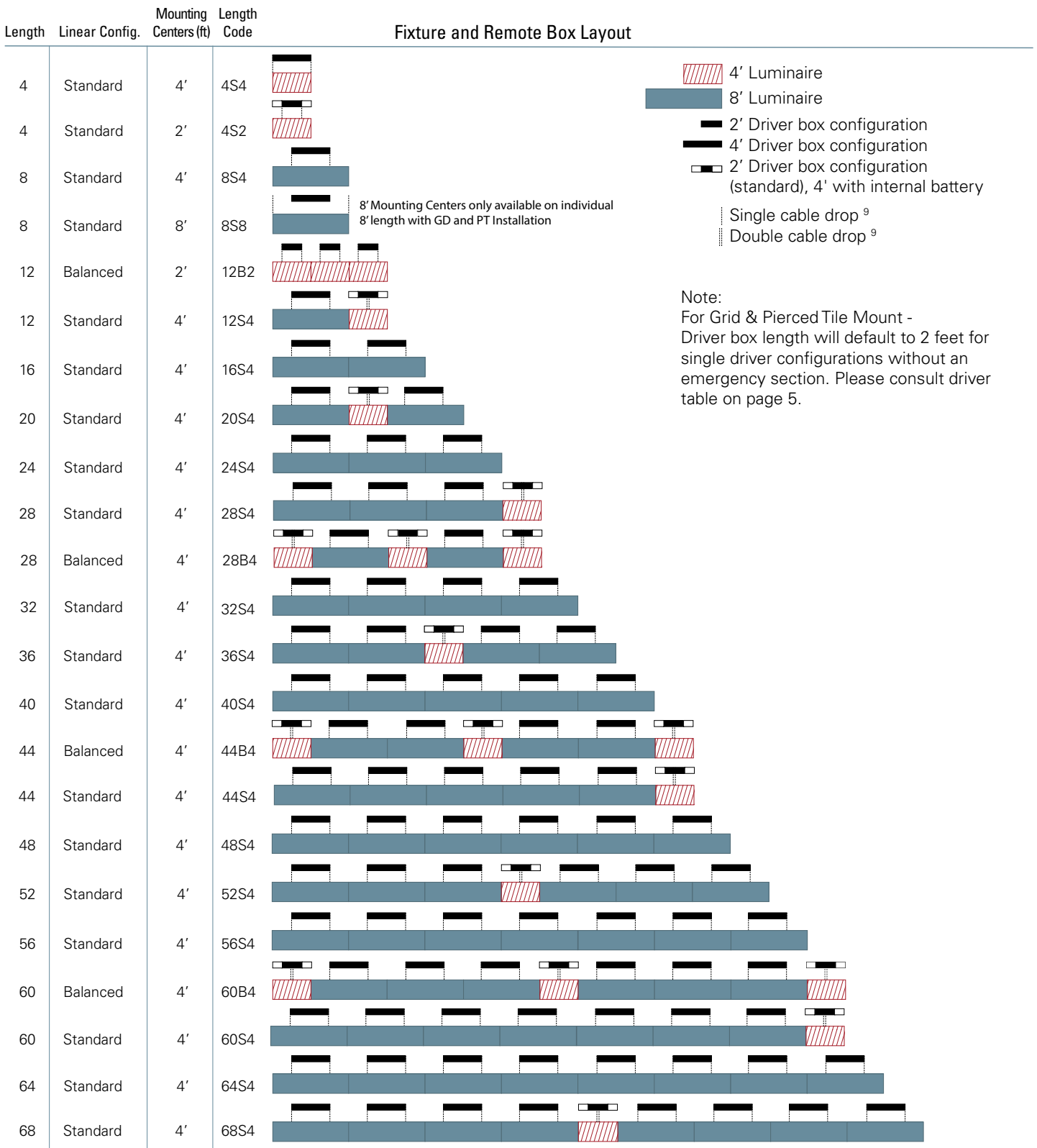
Fixture Length	Light Level	Total Lumen Output (lms)	Power Consumption (W)	Efficacy (LPW)
4'	1	2150	18.7	118.8
	2	3239	27.7	116.9
	3	4333	38.5	112.6
	4	5427	50.7	107.0
	5	6754	68.0	99.3

DD Driver, Data from Test Reports P210488-P210492



**MOUNTING**





# of Drivers	4' Fixture (Light Level)					8' Fixture (Light Level)				
	DriverType	L1	L2	L3	L4	L5	L1	L2	L3	L4
DD	1	1	1	1	1	1	1	1	2	2
HCD	1	1	1	1	2	1	1	2	2	N/A
DCD	1	1	1	1	2	1	1	2	2	N/A
5LT	1	1	1	1	1	1	1	1	2	2
5LTHD	1	1	1	1	2	1	1	2	2	N/A
STP	N/A	N/A	1	1	1	1	1	2	2	N/A
LH	1	1	1	1	1	1	1	1	2	2
L5	1	1	1	1	N/A	1	1	N/A	2	N/A
DD3	1	1	1	1	1	1	1	2	2	2
LV1	1	1	1	1	1	1	1	2	2	2

## TECHNICAL NOTES

- 1) Consult driver table for valid Driver & Light Level configurations.
- 2) EL7W, EL14W and GTD2 require Voltage selection 1 = 120VAC or 2 = 277VAC. Emergency section default is section 1 – contact factory for custom emergency requirements / locations.
  - Type GD/PT (all lengths) -Battery/GTD internal and pre-wired – battery test switch can be tile-mounted or mounted in the cover of a junction box
  - Type SR/SF/ST (4ft length) -Battery/GTD internal and pre-wired, battery test switch is internally mounted.
  - Type SR/SF/ST (2ft length) -Contact factory for availability. Battery pack is external, pre-wired with flexible conduit, remote test switch can be tile-mounted or mounted in the cover of a junction box. GTD2 not available.
- 3) Voltage selection of 347VAC only valid with Driver option DD3.
- 4) Voltage selection of 48VDC only valid with DLVP Driver option LV1.
  - Not available as standard product on structure mount configuration – contact factory if required.
- 5) Additional light levels available. Please consult factory for specific details.
- 6) All lengths are nominal. Please refer to submittal drawings for actual sizes.
- 7) Sensor will be pre-wired and ready for remote tile-mount. Passive infrared occupancy technology. Closed loop, dimming daylight harvesting sensing technology, ~144 sq ft coverage pattern.
- 8) Price adder and additional lead time may apply – please consult online configuration tool and/or price guide.
- 9) Double cable drops consisting of two powered aircraft cables spaced approximately 5/8" apart are utilized in all configurations with two drivers (reference driver table on pg 5) as well as all 4ft configurations (reference length configuration chart on pg 4) with a center cable location.
- 10) Cable suspension length of 10ft (max length) ships as standard and is cut to length after installation.
- 11) Grid clip cover, sheet rock cover, and surface mount cover plate ship as standard with white powder coated finish. Contact factory for additional options.
- 12) RRU option will provide switching for both power and dimming wires for applications requiring a UL924 transfer device.