



Fixture scale, performance, lighting quality and budget—why compromise? **Chopstick** offers small size with big lighting performance and a price point that makes it ideal for use in many different types of spaces.

Project: _____
 Location: _____
 Cat.No: _____
 Type: _____
 Line ID: _____ Qty: _____
 Notes: _____

Ordering guide

example: 7505LBEQN087DEW, A1-24

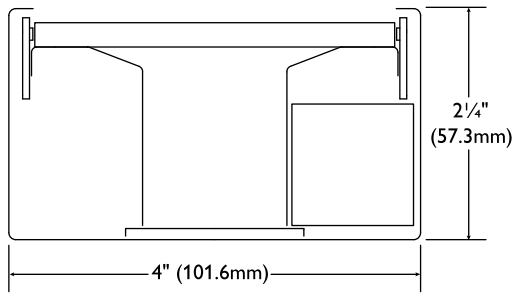
Family	Source	CRI/CCT ¹	Lumens ¹	Optics ³	Distribution	Run Length	Wiring ²	Voltage	Driver
7505	L				N				E
7505 Chopstick Suspended	L LED	A 80CRI/4000K B 80CRI/3500K C 80CRI/3000K	A 6500 lm/4ft C 4800 lm/4ft E 3400 lm/4ft	Q MesoOptics Lens S MesoOptics Lens (6ft only)	N Lightguide	04 4ft 06 6ft 08 8ft xx Continuous Run (2ft increments)	7 1cct Dimming E 2cct A/B Dimming (Alt. 4ft sections) M 1cct Dimming + Aux. Wiring N 1cct Dimming + Battery Pack	D UNV 120-277V 3 347V	E Advance 0-10V (1% Dim)

Finish	Mount Type	Suspension
W Standard White	A1 Non-accessible ceiling, 0°-15° Slope Mount	24 24"
T Titanium Silver	A2 T-grid Fixed Position Mount	48 48"
B Black	A3 Non-accessible ceiling, 0°-90° Slope Mount	96 96"
C Custom	A5 T-grid 24" Span Mount (non tegular tile only) A6-1 T-grid On-grid Mount 15/16" (non tegular tile only) A6-2 T-grid On-grid Mount 9/16" (non tegular tile only) A6-3 T-grid On-grid Mount 9/16" x 5/16" (slot tee & tegular tile)	144 144"

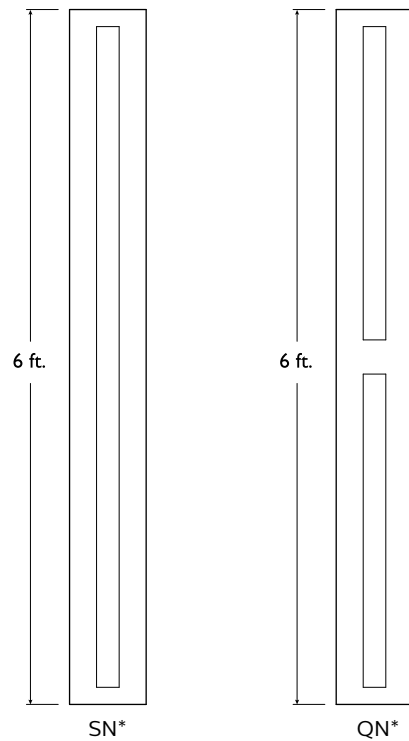
1. Nominal values within a range. Consult photometry data for CRI, color temp, lumens & distribution of chosen configuration.
2. Not all wiring types are available with all configurations. Consult Ledalite for a complete list of available options.
3. "S" Optics only available with 6ft modules as an alternative to two 3ft optical windows. 4ft and 8ft modules will continue to have 4ft optical windows.

Chopstick linear suspended

Cross Section View

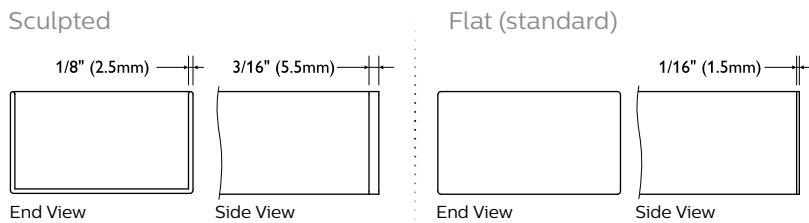


Cross Section View – Optics Details

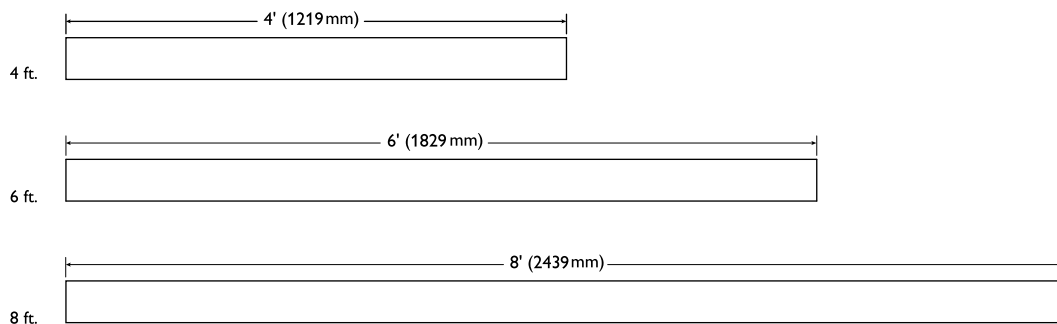


* SN optic is only available in 6ft modules.

Cross Section View – Endcaps



Module Details & Dimensions



Chopstick linear suspended

Specifications

Optical System

A low-profile light guide panel is edge lit by an LED array. The light guide couples and transmits the light via total internal reflection, then the etched surface of the panel optimizes the light extraction to create a semi-indirect (suspended) or direct/indirect (wall) distribution. Light is purified and controlled by MesoOptics film as it passes through the non-glare acrylic lens.

Endcaps

Diecast aluminum endcaps, available in flat (standard) or edge sculpted.

Finish

High quality powder coated, available in matte white, black or titanium silver. Other factory and custom colors available on request.

Housing

Precision formed 20 gauge cold-rolled steel.

Weight

Maximum 3.0lb/ft.

Electrical

Factory pre-wired to section ends with quick-wire connectors.

QuickShip

Upon request, Chopstick suspended can be made-to-order and shipped in 10-working days from receipt of order. Some configurations excluded. Limit of 500' linear feet per order.

Standard Driver

Advance Xitanium 0-10V, 1-100%. Class 2 rated output. Consult Ledalite for other available drivers.

Standard Battery Pack

Bodine, 90 min, 10W, Class 2 rated output, Emergency lumen output = 10W x luminaire efficacy x 1.1. Typical output: suspended 1100lm, wall 900lm.

Lumen Maintenance

LEDs have been tested by the manufacturer in accordance with IESNA LM-80-08. At an ambient temperature of 25°C, the LED lumen maintenance expectation according to IES TM-21-11 is: L90 (10k) >60,000 hrs (Reported methodology).

Source Color

LEDs rated for color rendering CRI >80, R9 >0 and fixture to fixture color accuracy within 2 SDCM.

Mounting

Suspended: tamper-resistant aircraft cable grippers provide infinite vertical adjustment capability. Aircraft cable, crimp and cable gripper are independently tested to meet stringent safety requirements.

Joints

Self-aligning joining system with hands-free pre-joining wire access.

Approvals

Certified to UL, CSA and IES standards. Suspended versions without battery packs are DesignLights Consortium® qualified. Please see the DLC QPL list for exact catalog numbers under DLC family code WWBYU (www.designlights.org/QPL).

Warranty

Signify indoor professional luminaires 5 year LED warranty: www.signify.com/warranties.

Environment

Rated for dry or damp locations in operating ambient temperatures 0-40°C (32-104°F). Certain luminaire components may be adversely affected by contaminants. Damage caused by sulfur, chlorine, petroleum based solutions or other contaminants in the area of operation are not covered under warranty. Not suitable for natatorium environments.

Photometrics

MesoOptics + Lightguide Distribution (QN & SN)

(Click "PDF" and "IES" text to Download)

Lumen Package	Nominal CRI & CCT	"Flux (lm)	Watts (W)	Efficacy (LPW)	CRI	R9	RP-1 VDT	DLC*	Photometry Report	IES File
6500lm/4ft	80CRI, 4000K	6697	57.2	117.1	84	16	Critical spaces	Standard	PDF	IES
	80CRI, 3500K	6450	57.5	112.2	83	12	Critical spaces	Standard	PDF	IES
	80CRI, 3000K	6565	57.8	113.6	85	17	Critical spaces	Standard	PDF	IES
4800lm/4ft	80CRI, 4000K	4882	40.7	120.0	84	16	Critical spaces	Standard	PDF	IES
	80CRI, 3500K	4702	40.9	115.0	83	12	Critical spaces	Standard	PDF	IES
	80CRI, 3000K	4797	41.1	116.7	85	17	Critical spaces	Standard	PDF	IES
3400lm/4ft	80CRI, 4000K	3503	28.1	124.7	84	16	Critical spaces	Standard	PDF	IES
	80CRI, 3500K	3373	28.3	119.2	83	12	Critical spaces	Standard	PDF	IES
	80CRI, 3000K	3409	28.4	120.0	85	17	Critical spaces	Standard	PDF	IES

*DLC is only available for 4ft, 6ft & 8ft lengths (standalone or continuous) and with Advance 0-10V (1% dim) drivers. Battery Packs are also not available on DLC.

Chopstick linear suspended

Photometrics

CANDELA DISTRIBUTION						Flux
	0	22.5	45	67.5	90	Lumens
0	104	104	104	104	104	
5	104	105	107	109	109	10
15	112	116	125	133	134	36
25	122	131	147	159	161	67
35	123	132	143	148	147	86
45	98	105	103	99	97	78
55	64	72	68	65	64	60
65	38	46	43	42	41	42
75	17	22	21	19	18	22
85	5	11	11	9	7	9
90	0	0	0	0	0	
95	28	91	123	151	173	135
105	194	279	396	518	568	411
115	365	441	579	734	796	573
125	457	517	647	788	844	579
135	482	528	626	733	773	486
145	473	509	573	641	667	361
155	454	481	518	556	570	240
165	439	454	478	493	498	135
175	432	438	445	453	458	43
180	439	439	439	439	439	

*Photometric data shown is for 3400 lm/ 4ft, 3500K, 80 CRI configuration.

COEFFICIENTS OF UTILIZATION (%)													
Pc---	80				70				50				0
Pw---	70	50	30	10	70	50	30	50	30	10	0	0	
RCR													
0	98	98	98	98	86	86	86	62	62	62	12		
1	89	85	82	78	78	74	72	54	53	51	10		
2	81	74	69	64	71	65	60	48	45	42	9		
3	74	65	58	53	64	57	52	42	38	35	7		
4	68	58	50	45	59	50	44	37	33	30	6		
5	62	51	43	38	54	45	38	33	29	25	5		
6	57	45	38	32	49	40	34	29	25	22	5		
7	52	41	33	28	45	36	30	27	22	19	4		
8	48	37	30	25	42	32	26	24	20	17	4		
9	45	33	26	22	39	29	23	22	18	15	3		
10	42	30	24	19	36	27	21	20	16	13	3		

ZONAL LUMEN SUMMARY			
Zone	Lumens	%Fixture	%Lamp
0-30	113	3.3%	3.3%
0-40	199	5.9%	5.9%
0-60	337	10.0%	10.0%
0-90	411	12.2%	12.2%
90-130	1698	50.3%	50.3%
90-150	2545	75.4%	75.4%
90-180	2963	87.8%	87.8%
0-180	3373	100.0%	100.0%

Electrical						
120V: P(W), I(A), THD(%), PF	28.3	0.238	8.0	0.990		
277V: P(W), I(A), THD(%), PF	28.2	0.106	11.0	0.959		
347V: P(W), I(A), THD(%), PF	27.8	0.083	10.0	0.967		

AVG LUMINANCE (cd/m ²)			
	0	45	90
0	3024	3024	3024
5	3038	3131	3188
15	3363	3757	4037
25	3925	4712	5177
35	4356	5078	5210
45	4029	4250	3971
55	3256	3439	3222
65	2620	2976	2821
75	1892	2351	1998
85	1763	3508	2216

