

# THINK<sub>of the</sub> POSSIBILITIES

## INFINA™

The revolutionary AC LED Flexible Light Strip.

- Power a continuous run of over 150 feet with one line voltage feed
- AC technology eliminates external drivers, removing the weakest link in the lighting system
- Driverless design lowers upfront, installation and maintenance costs
- Architectural grade, ultra high output
- Smooth ELV dimming

Our patent pending, award winning driverless AC LED solutions will inspire you to unleash your greatest creative visions.



# INFINA

DESIGNED FOR CREATIVITY, BUILT FOR SOLUTIONS

 **JESCO**  
LIGHTING GROUP

JESCOLIGHTING.COM



# INFINA

DESIGNED FOR CREATIVITY, BUILT FOR SOLUTIONS



## FEATURES

### ARCHITECTURAL GRADE

- Incorporates JESCO's exclusive Driverless AC LED Technology
- High output 3 Step MacAdam LEDs ensure consistent color output
- Patent Pending Constant Current IC's provide uniform intensity over the entire run
- Patent Pending Keyed Connector System
- Smooth ELV Dimming

### ULTRA-HIGH LUMEN OUTPUT

- Provides up to 555 Lm from 4.95W with an efficacy of 112 Lm/W†
- Patent Pending optically clear thermoplastic jacket

### ULTRA LONG RUN

- 150 foot run length
- Uniform intensity and color throughout the entire run
- Quick Installation with channels or clips

### 50,000 HOUR LIFE

- No in-line or remote drivers mean that the weakest link in the LED system is eliminated guaranteeing a long lifetime
- 5 Year Limited Warranty

## DL-AC-FLEX

FLEXIBLE LINE VOLTAGE LED LINEAR STRIP

LED	120V AC	4.95 W/Ft	555 <sup>†</sup> Lm/Ft
112 <sup>†</sup> Lm/W	80+ CRI	ELV	160°
WET*			

**Input:** 120V AC 50/60Hz

**Dims:** 3/4" W x 1/4" H

**Max/Min Run:** 150' / 4"

**Dimming:** ELV

**Environment:** In/Outdoors\*, Dry, Damp & Wet

\* Not submersible.  
Not intended for applications where water can puddle or product can be covered by snow.

† Based on 4000K data.  
Up to 1,000 Lm/Ft available - contact factory

Powered by  
**MAG LED**

## TO ORDER

MODEL - CCT

**DL-AC-FLEX** -

27 - 2700K

30 - 3000K

40 - 4000K

## MOUNTING OPTIONS

	Model	Description
	<b>DL-AC-FLEX-CH4</b>	4' Mounting Channel
	<b>DL-AC-FLEX-CH8</b>	8' Mounting Channel (clear plastic with UV inhibitors)
	<b>DL-AC-FLEX-MC</b>	Mounting "U" Clip (clear plastic with UV inhibitors) Dims: 1/2" H x 1" W x 1" L

## TERMINATION OPTIONS\*\*

	Model	Description
	<b>DL-AC-FLEX-PC2</b>	2' Power Plug with surge protection
	<b>DL-AC-FLEX-PC6</b>	6' Power Plug with surge protection
	<b>DL-AC-FLEX-100-PC2</b>	2' Power Plug with surge protection for runs greater than 75'
	<b>DL-AC-FLEX-CC3</b>	3" Connecting Cable
	<b>DL-AC-FLEX-CC6</b>	6" Connecting Cable
	<b>DL-AC-FLEX-CC12</b>	12" Connecting Cable
	<b>DL-AC-FLEX-CC24</b>	24" Connecting Cable
	<b>DL-AC-FLEX-EC</b>	End Cap Note: End cap must be used at the end of every run and siliconed.

\*\* Surge protector must not be removed

Pending UL approved Hard Wire termination option, available January 2015.

Specifications subject to change without notice.

See spec sheet or jescolighting.com for more details.



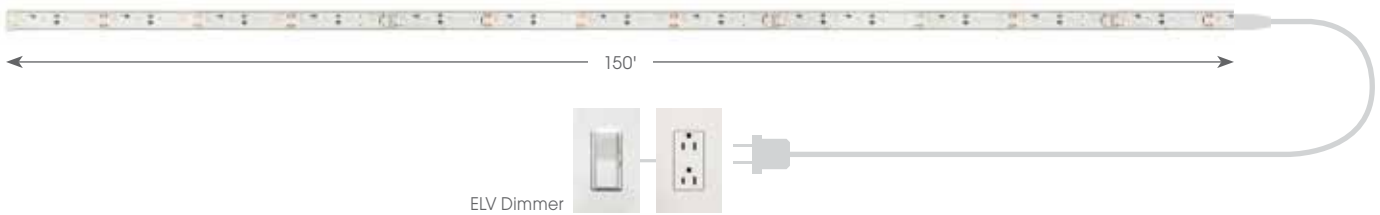


# INSTALLATION COMPARISON

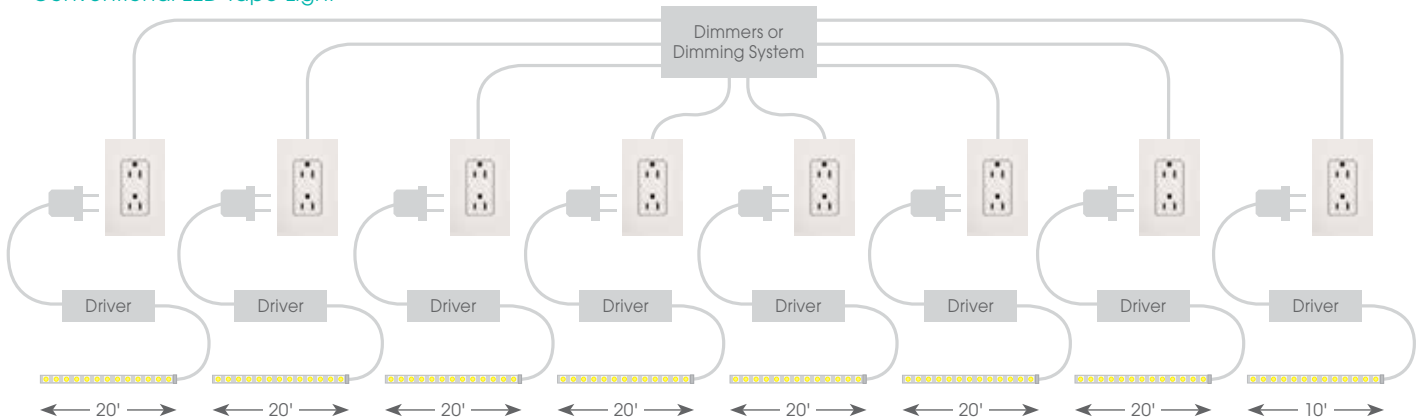
## INFINA™ vs. Conventional LED Tape Light

Illustrated: Typical Installation of 150' Run

INFINA™



Conventional LED Tape Light



Besides the obvious savings in labor and material, INFINA™ also removes the possibility of any wiring issues, improper installation or problematic dimming control.



For more details and product specifications please visit  
[JESCOLIGHTING.COM](http://JESCOLIGHTING.COM)



# JESCO

LIGHTING GROUP

**NEW YORK  
CORPORATE OFFICE**

15 Harbor Park Drive  
Port Washington NY 11050  
TEL 800 527 7796  
FAX 855 265 5768

**LOS ANGELES**

219 South 6th Avenue  
City Of Industry CA 91746  
TEL 626 333 3661  
TEL 855 654 0110  
FAX 626 333 2955

[JESCOLIGHTING.COM](http://JESCOLIGHTING.COM)

[info@jescolighting.com](mailto:info@jescolighting.com)

© 2014 JESCO LIGHTING

LCAT-INFINA-PNP

